

Current Transformers

GIF 36

General Description

Ritz manufactures an extensive line of cast epoxy resin insulated transformers across the voltage range of 5.5 kV to 72.5 kV. This brochure describes one model of outdoor Current Transformers in the 36 kV class with performance ratings that coincide with industry standard product offerings. Ritz, because of product depth, familiarity with international standards and custom design capability, is also able to design according to customer specific needs.

Construction

The toroidal core and winding assembly is encapsulated in cycloaliphatic epoxy resin in a single process under vacuum using the pressure gelation method. The resin color is grey. Brown is available by special order. Epoxy resin was chosen because of its excellent tracking resistance, high mechanical strength, ability to withstand ultraviolet radiation and weathering effects, and its inflammability.

Thermal Rating

Maximum thermal rating is 100 times nominal current for one second, up to a maximum of 63 kA.

Primary Terminals

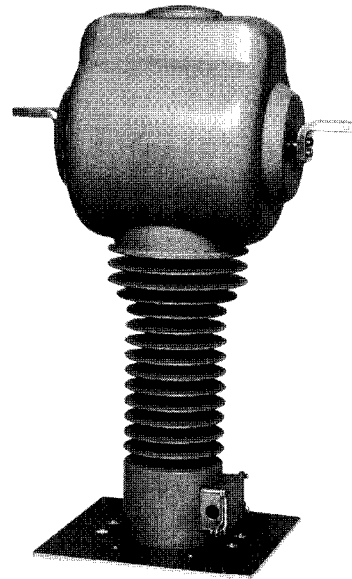
Primary terminals are flat, tin-plated copper NEMA two-hole or four-hole pad, depending on type designation. Primary terminals are detachable so that alternate terminal configurations can be considered. Maximum allowable terminal pull is 1100 lbs.

Secondary Terminals

Secondary terminals are brass screw type with a 0.24" diameter. Each terminal can be earthed in the terminal box.

Terminal Box

The secondary terminal box is cast aluminum. Two threaded 1" horizontal hubs with pipe plugs for making connections to 1" conduit are



provided. A ground lug designed to accept a one hole connector is part of the terminal box.

Base Plate

The base plate is made of marine grade aluminum.

Mounting

This transformer may only be mounted in the vertical upright position. Please consult Ritz for alternate designs to accommodate horizontal and suspended mountings.

Nameplates

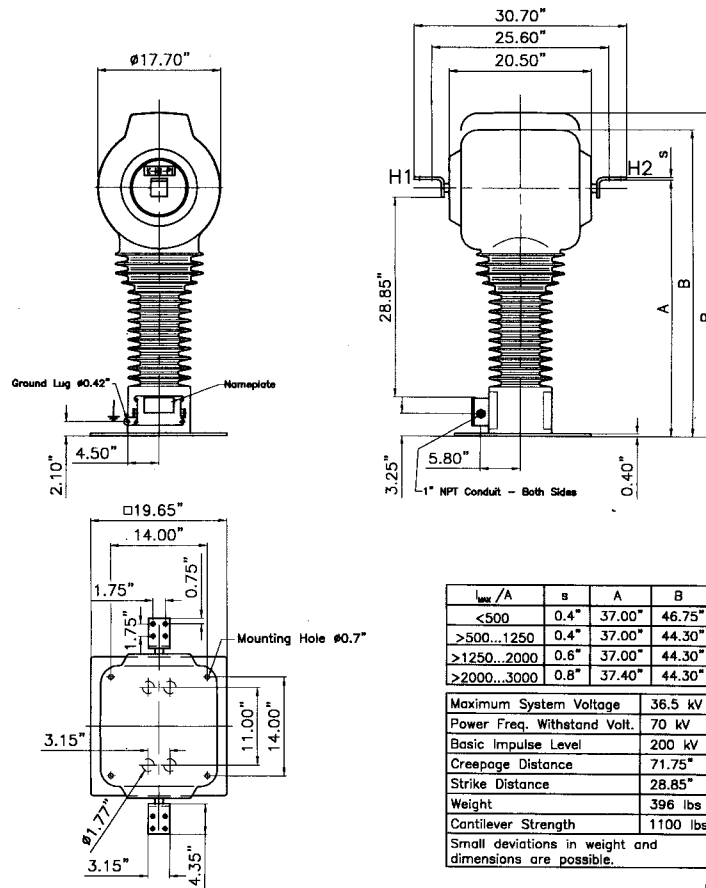
Nameplates are of marine grade aluminum, and marked by using a metal photo process.

Tests

Routine tests in compliance with IEEE are standard. In addition, internal partial discharge measurements are performed as a routine test, with acceptance criteria of $<20 \text{ pC}$ at $1.2 V_m/\sqrt{3}$ and $<50 \text{ pC}$ at $1.2 V_m$. Test cards are included with each unit.

Commissioning and Maintenance

Transformers are supplied ready for service. No special tools are required. Instruction manuals are provided with each shipment. Periodic application of silicone grease is recommended.



CURRENT TRANSFORMER TYPE: GIF 36-69 (NEMA 2-Hole Pad)

CURRENT RATIO	CATALOGUE NUMBER	ANSI ACCURACY CLASS, 60 Hz		RATING FACTOR
		Meter	Relay	
5/10:5	113026069 45900	0.3B1.8 FULL, 0.9 TAP	C200 FULL C100 TAP	1.5 FULL 3.0 TAP
10/20:5	113026069 45901	0.3B1.8 FULL, 0.9 TAP	C200 FULL C100 TAP	1.5 FULL 3.0 TAP
20/40:5	113026069 45902	0.3B1.8 FULL, 0.9 TAP	C200 FULL C100 TAP	1.5 FULL 3.0 TAP
25/50:5	113026069 45903	0.3B1.8 FULL, 0.9 TAP	C200 FULL C100 TAP	1.5 FULL 3.0 TAP
50/100:5	113026069 45904	0.3B1.8 FULL, 0.9 TAP	C200 FULL C100 TAP	1.5 FULL 3.0 TAP
75/150:5	113026069 45905	0.3B1.8 FULL, 0.9 TAP	C200 FULL C100 TAP	1.5 FULL 3.0 TAP
100/200:5	113026069 45906	0.3B1.8 FULL, 0.9 TAP	C200 FULL C100 TAP	1.5 FULL 3.0 TAP
150/300:5	113026069 45907	0.3B1.8 FULL, 0.9 TAP	C200 FULL C100 TAP	1.5 FULL 3.0 TAP
200/400:5	113026069 45908	0.3B1.8 FULL, 0.9 TAP	C200 FULL C100 TAP	1.5 FULL 3.0 TAP
300/600:5	113026069 45909	0.3B1.8 FULL, 0.9 TAP	C200 FULL C100 TAP	1.5 FULL 3.0 TAP
400/800:5	113026069 45910	0.3B1.8 FULL, 0.9 TAP	C200 FULL C100 TAP	1.5 FULL 3.0 TAP
500/1000:5	113026069 45912	0.3B1.8 FULL, 0.9 TAP	C200 FULL C100 TAP	1.5 FULL 2.0 TAP
600/1200:5	113026069 45911	0.3B1.8 FULL, 0.9 TAP	C200 FULL C100 TAP	1.5 FULL 2.0 TAP

CURRENT TRANSFORMER TYPE: GIF 36-68 (NEMA 4-Hole Pad)

CURRENT RATIO	CATALOGUE NUMBER	ANSI ACCURACY CLASS, 60 Hz		RATING FACTOR
		Meter	Relay	
500:5	113026068 45893	0.3B-0.9	C100	3.0
600:5	113026068 45894	0.3B-0.9	C100	3.0
800:5	113026068 45895	0.3B-0.9	C100	2.0
1000:5	113026068 45897	0.3B-0.9	C100	1.5
1200:5	113026068 45896	0.3B-0.9	C100	1.5
500/1000:5	113026068 45948	0.3B-2.0	C400 FULL C200 TAP	2.0/1.5
600/1200:5	113026068 45949	0.3B-2.0	C400 FULL C200 TAP	2.0/1.5
800/1600:5	113026068 45950	0.3B-2.0	C400 FULL C200 TAP	2.0/1.5
1000/2000:5	113026068 45951	0.3B-2.0	C400 FULL C200 TAP	2.0/1.5
1500/3000:5	113026068 45952	0.3B-2.0	C400 FULL C200 TAP	2.0/1.0

One Ritz Avenue • Waynesboro, GA 30830
 (706) 554-8800 FAX (706) 554-8808
 www.ritzusa.com