

Current Transformer

GIFD 25-03

General Description

Ritz manufactures an extensive line of cast epoxy resin insulated transformers across the voltage range of 5.5kV to 72.5kV. This brochure describes outdoor window type Current Transformers for the 25kV class and below. The type GIFD is suitable for high current metering and relaying. Industry standard performance ratings are shown on the reverse page. Ritz, because of product depth, familiarity with international standards and custom design capability is also capable of designing a solution to your specific needs.

Construction

The toroidal core and winding assembly is encapsulated in cycloaliphatic epoxy resin in a single process under vacuum using the pressure gelation method. The resin color is grey. Brown is available by special order. Epoxy resin was chosen because of its excellent tracking resistance, high temperature rating, high mechanical strength, ability to withstand ultraviolet radiation and weathering effects and its flameproof qualities.

Thermal & Dynamic Rating

For designs up to 600A the short time thermal rating is 100 times nominal current for 1 second and above 600A it is 60kA/1 second.

The mechanical short time rating is 2.5 times the thermal rating up to 400A and 100kA for 1 second for ratings higher than 400A.

Primary Opening

The GIFD 25-03 CT has a window with a 5 inch diameter. It can also be purchased with an optional primary bar assembly kit with spade terminals.

Secondary Terminals

Secondary terminals are bronze clamp type with a large diameter hole. A bronze pivoting short circuit device is an integral part of the secondary terminal arrangement. A ground terminal is also provided.

Terminal Box

The cast aluminum terminal box has one inch conduit hubs on either end and a knock out for a one inch conduit fitting on the bottom. The box is attached to the transformer body by four bolts in an industry standard pattern and can easily be detached, simplifying change out procedures.



Base Plate

The base is made of marine grade aluminum and is securely attached to the transformer body. Industry standard mounting dimensions and a single hole ground pad 90° to the mounting plate are provided.

Nameplates

Nameplates are of marine grade aluminum with the markings engraved.

Mounting

The transformers can be mounted in the horizontal, vertical or suspended position.

Tests

Routine tests in compliance with IEEE are standard. In addition internal partial discharge is performed as a routine test with acceptance criteria of <20 pC at 1.2 Vm/√3 and <50 pC at 1.2Vm. Test cards are included with each unit.

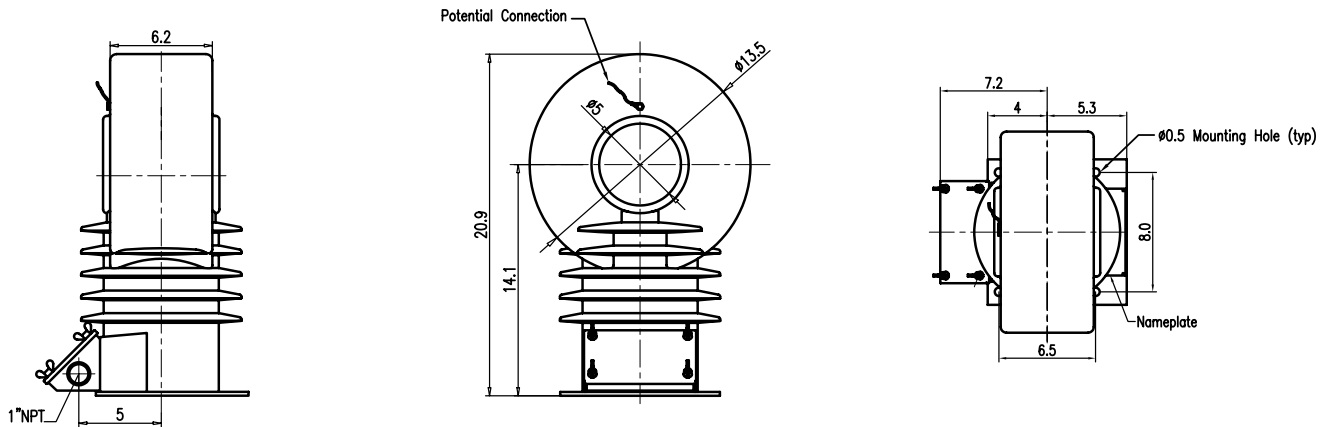
Commissioning and Maintenance

Transformers are supplied ready for service. No special tools are required. Instruction manuals are provided with each shipment. Periodic wiping down of the units with silicone grease is recommended.

CURRENT TRANSFORMER TYPE: GIFD 25-03

Current Ratio	Catalog Number	IEEE Accuracy Class, 60 Hz		
		Meter	Relay	Rating Factor (at 55°C)
200:5	112053003 05500	0.3 B-0.5	C50	2.0
300:5	112053003 05501	0.3 B-1.0	C50	2.0
400:5	112053003 05502	0.3 B-1.0	C100	2.0
600:5	112053003 05503	0.3 B-1.8	C100	2.0
800:5	112053003 05504	0.3 B-2.0	C200	2.0
1000:5	112053003 05505	0.3 B-2.0	C200	2.0
1200:5	112053003 05506	0.3 B-2.0	C200	2.0
1500:5	112053003 05507	0.3 B-2.0	C400	2.0
2000:5	112053003 05508	0.3 B-2.0	C400	2.0
2500:5	112053003 05509	0.3 B-2.0	C400	2.0
3000:5	112053003 05510	0.3 B-2.0	C600	2.0
4000:5	112053003 05511	0.3 B-2.0	C600	1.5
5000:5	112053003 05512	0.3 B-2.0	C800	1.5
200/400:5	112053003 05513	Tap 0.3B-0.5 Full 0.3B-0.9	Tap C40 Full C80	Tap 1.5 Full 1.5
300/600:5	112053003 05514	Tap 0.3B-0.9 Full 0.3B-1.8	Tap C50 Full C100	Tap 2.0 Full 2.0
400/800:5	112053003 05515	Tap 0.3B-1.0 Full 0.3B-2.0	Tap C100 Full C200	Tap 2.0 Full 2.0
500/1000:5	112053003 05516	Tap 0.3B-1.0 Full 0.3B-2.0	Tap C100 Full C200	Tap 2.0 Full 2.0
600/1200:5	112053003 05517	Tap 0.3B-1.0 Full 0.3B-2.0	Tap C100 Full C200	Tap 2.0 Full 2.0
750/1500:5	112053003 05518	0.3 B-2.0	Tap C200 Full C400	Tap 2.0 Full 2.0
800/1600:5	112053003 06806	0.3 B-2.0	Tap C200 Full C400	Tap 2.0 Full 2.0
1000/2000:5	112053003 05519	0.3 B-2.0	Tap C200 Full C400	Tap 2.0 Full 2.0
1500/3000:5	112053003 05520	0.3 B-2.0	Tap C200 Full C400	Tap 2.0 Full 2.0
2000/4000:5	112053003 05521	0.3 B-2.0	Tap C400 Full C800	Tap 2.0 Full 1.5
2500/5000:5	112053003 05522	0.3 B-2.0	Tap C400 Full C800	Tap 2.0 Full 1.5
1000:5	112053003 05525	0.15 B-1.8 (ER) 1% to 150% Irated	-----	1.5
2000:5	112053003 05526	0.15 B-1.8 (ER) 1% to 150% Irated	-----	1.5

TYPE: GIFD 25-03 Cast resin outdoor current transformer, Um = 25.5 kV



Creepage distance	19.69 in
Flashover distance	6.89 in

Weight: appr. 60 lbs

All dimensions in inches
Small deviations in dimensions and construction possible!

<p>One Ritz Avenue • Waynesboro, GA 30830 (706) 554-8800 www.ritzusa.com</p>	<p>FAX(706)554-8808</p>	<p>SALES REPRESENTATIVE</p> <div style="border: 1px solid black; border-radius: 15px; width: 150px; height: 40px; margin: 0 auto;"></div>
--	-------------------------	---