

# Current Transformers

## GIFS 36-55

### General Description

Ritz manufactures an extensive line of cast epoxy resin insulated transformers across the voltage range of 5.5 kV to 72.5 kV. This brochure describes one model of outdoor Current Transformers in the 36 kV class with performance ratings that coincide with industry standard product offerings. Ritz, because of product depth, familiarity with international standards and custom design capability, is also able to design according to customer specific needs.

### Construction

The toroidal core and winding assembly is encapsulated in cycloaliphatic epoxy resin in a single process under vacuum using the pressure gelation method. The resin color is grey. Brown is available by special order. Epoxy resin was chosen because of its excellent tracking resistance, high mechanical strength, ability to withstand ultraviolet radiation and weathering effects, and its inflammability.

### Thermal Rating

Maximum thermal rating is 100 times nominal current for one second, up to a maximum of 63 kA.

### Primary Terminals

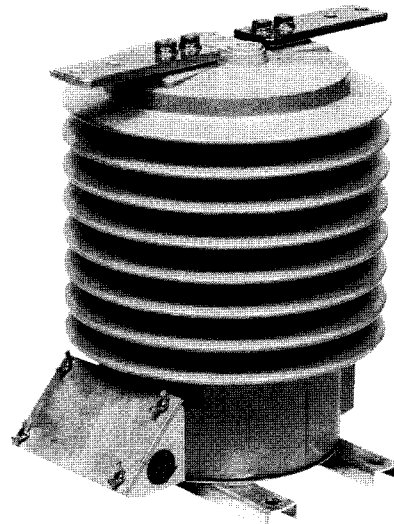
Primary terminals are flat, tin-plated copper NEMA two hole pads. Primary terminals are detachable so that alternate terminal configurations can be considered. Maximum allowable terminal pull is 1100 lbs.

### Secondary Terminals

Secondary terminals are bronze clamp type with a large diameter hole. A bronze pivoting short circuit device is an integral part of the secondary terminal arrangement. A ground terminal is also provided.

### Terminal Box

The cast aluminum secondary terminal box has one-inch conduit hubs on each end and a knock out for a one inch conduit fitting on the bottom. The box is attached to the transformer body by



four bolts in an industry standard pattern and can easily be detached, simplifying change out procedures.

### Base Plate

The base plate is made of marine grade aluminum and is securely attached to the transformer body. Industry standard mounting dimensions and a single hole ground pad 90° to the mounting plate are provided.

### Nameplates

Nameplates are of marine grade aluminum with the markings applied by a metal photo process.

### Mounting

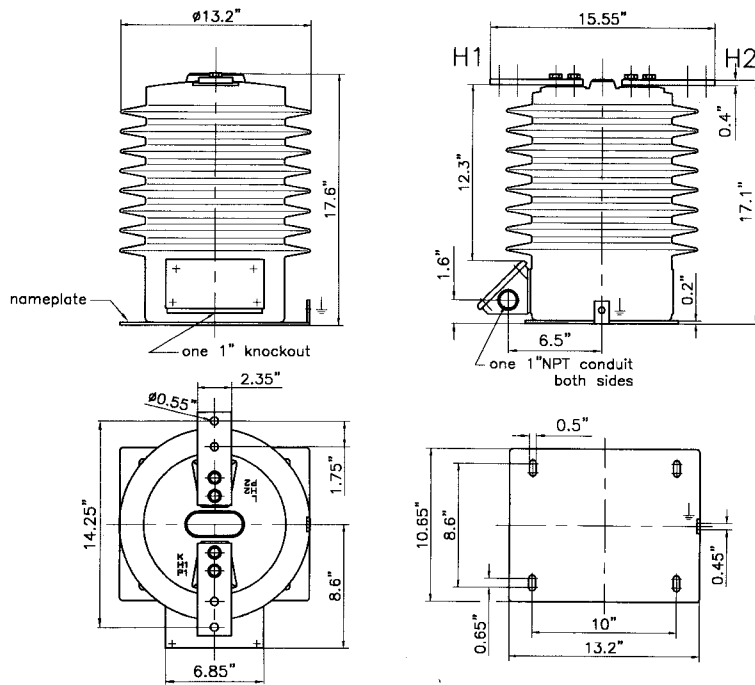
This transformer may be mounted in the horizontal, vertical or suspended position.

### Tests

Routine tests in compliance with IEEE are standard. In addition, internal partial discharge measurements are performed as a routine test with acceptance criteria of <math><20 \text{ pC}</math> at

### Commissioning and Maintenance

Transformers are supplied ready for service. No special tools are required. Instruction manuals are provided with each shipment. Periodic wiping down of the units with silicone grease is recommended.



Maximum System Voltage	36.5 kV
Power Freq. Withstand Volt.	70 kV
Basic Impulse Level	200 kV
Creepage Distance	36.45"
Strike Distance	12.3"
Weight	121 lbs
Cantilever Strength	1100 lbs
Small deviations in weight and dimensions are possible.	

CURRENT TRANSFORMER TYPE: GIFS 36-55



CURRENT RATIO	CATALOGUE NUMBER	ANSI ACCURACY CLASS, 60 Hz		RATING FACTOR
		Meter	Relay	
10:5	113026055 45880	0.3B-0.9	C100	3.0
15:5	113026055 45881	0.3B-0.9	C100	3.0
20:5	113026045 45882	0.3B-0.9	C100	3.0
25:5	113026055 45883	0.3B-0.9	C100	3.0
30:5	113026055 45884	0.3B-0.9	C100	3.0
40:5	113026055 45885	0.3B-0.9	C100	3.0
50:5	113026055 45886	0.3B-0.9	C100	3.0
75:5	113026055 45887	0.3B-0.9	C100	3.0
100:5	113026055 45888	0.3B-0.9	C100	3.0
150:5	113026055 45889	0.3B-0.9	C100	3.0
200:5	113026055 45890	0.3B-0.9	C100	3.0
300:5	113026055 45891	0.3B-0.9	C100	3.0
400:5	113026055 45892	0.3B-0.9	C100	3.0
25/50:5	113026055 45940	0.3B-2.0	C100 Full C250 Tap	1.5 Full 2.0 Tap
50/100:5	113026055 45941	0.3B-2.0	C100 Full C250 Tap	1.5 Full 2.0 Tap
75/150:5 1	13026055 45942	0.3B-2.0	C100 Full C250 Tap	1.5 Full 2.0 Tap
100/200:5	113026055 45943	0.3B-2.0	C100 Full C250 Tap	1.5 Full 2.0 Tap
150/300:5	113026055 45944	0.3B-2.0	C100 Full C250 Tap	1.5 Full 2.0 Tap
200/400:5	113026055 45945	0.3B-2.0	C100 Full C250 Tap	1.5 Full 2.0 Tap
300/600:5	113026055 45946	0.3B-2.0	C100 Full C250 Tap	1.5 Full 2.0 Tap
400/800:5	113026055 45947	0.3B-2.0	C100 Full C250 Tap	1.5 Full 2.0 Tap

\* For higher currents and additional tapped options, please refer to GIF 36 brochure.

One Ritz Avenue • Waynesboro, GA 30830  
 (706) 554-8800 FAX (706) 554-8808  
 www.ritzusa.com

