

Current Transformers

GIFU 15-01L

General Description

Ritz manufactures an extensive line of cast epoxy resin insulated transformers across the voltage range of 5.5 kV to 72.5 kV. This brochure describes outdoor Current Transformers in the 15 kV class with reduced burden capability resulting in a lightweight design. Ritz, because of product depth, familiarity with international standards and custom design capability is also capable to design a solution to your specific needs.

Construction

The toroidal core and winding assembly is encapsulated in cycloaliphatic epoxy resin in a single process under vacuum using the pressure gelation method. The resin color is grey. Brown is available by special order. Epoxy resin was chosen because of its excellent tracking resistance, high mechanical strength, ability to withstand ultraviolet radiation and weathering effects and its non-flammable properties.

Primary Terminals

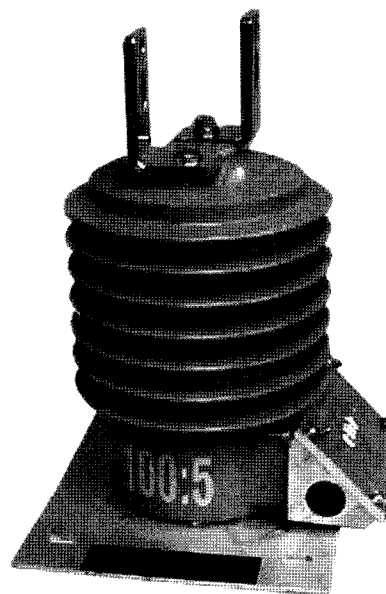
Primary terminals are flat tin plated copper NEMA two hole pads. Primary terminals are detachable so that alternate terminal configurations can be considered.

Secondary Terminals

Secondary terminals are bronze clamp type with a large diameter hole. A bronze pivoting short circuit device is an integral part of the secondary terminal arrangement. A ground terminal is also provided.

Terminal Box

The cast aluminum terminal box has one inch conduit hubs on either end and a knock out for a one inch conduit fitting on the bottom. The box is attached to the transformer body by four bolts in an industry standard pattern and can easily be detached, simplifying change out procedures.



Base Plate

The base is made of marine grade aluminum and is securely attached to the transformer body. Industry standard mounting dimensions and a single hole ground pad 90° to the mounting plate are provided.

Nameplates

Nameplates are of marine grade aluminum with the markings applied by a metal photo process.

Mounting

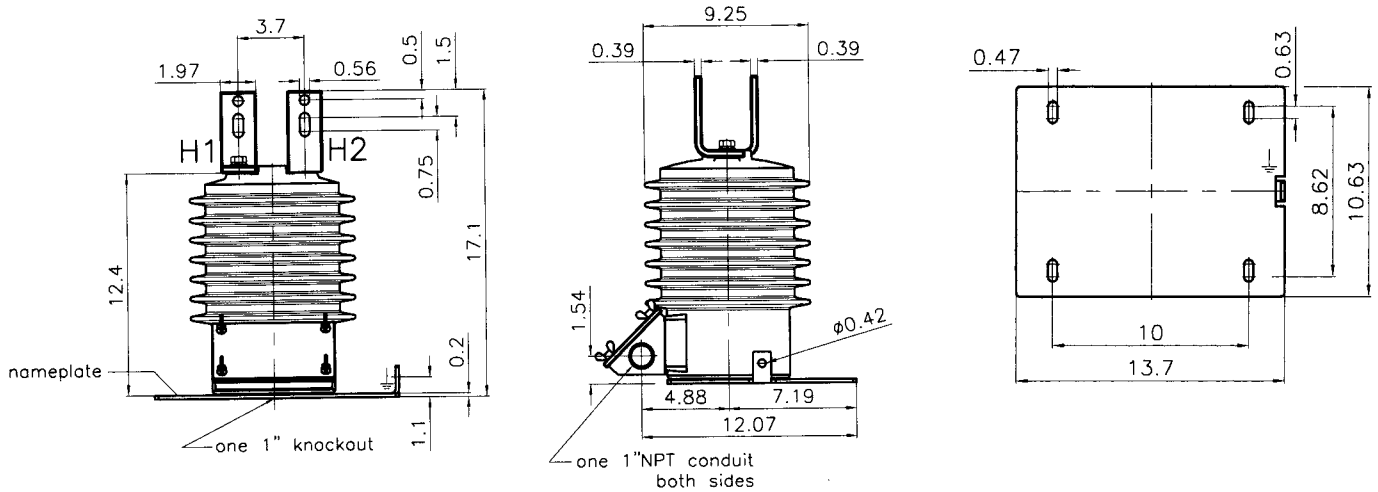
The transformers can be mounted in the upright, vertical or suspended position.

Tests

Routine tests in compliance with IEEE are standard. In addition internal partial discharge is performed as a routine test with acceptance criteria of < 20 pC at $1.2 V_m/\sqrt{3}$ and < 50 pC at $1.2 V_m$. Test cards are included with each unit.

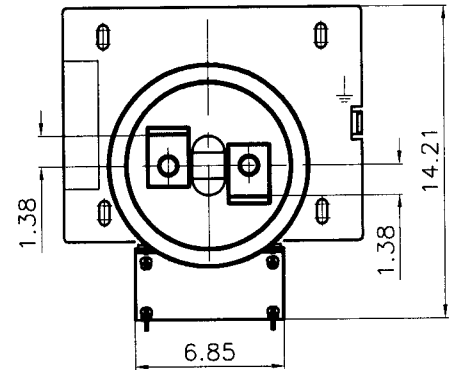
Commissioning and Maintenance

Transformers are supplied ready for service. No special tools are required. Instruction manuals are provided with each shipment. Periodic wiping down of the units with silicone grease is recommended.



CURRENT TRANSFORMER TYPE: GIFU 15-01L

CURRENT RATIO	CATALOGUE NUMBER	ANSI ACCURACY CLASS, 60 Hz	RATING FACTOR
		Meter	
5:5	112026103 84514	0.3B0.5	3.0
10:5	112026103 84515	0.3B0.5	3.0
15:5	112026103 84516	0.3B0.5	3.0
20:5	112026103 84517	0.3B0.5	3.0
25:5	112026103 84518	0.3B0.5	3.0
30:5	112026103 84519	0.3B0.5	3.0
40:5	112026103 84520	0.3B0.5	3.0
50:5	112026103 84521	0.3B0.5	3.0
75:5	112026103 84522	0.3B0.5	3.0
100:5	112026103 84523	0.3B0.5	3.0
150:5	112026103 84524	0.3B0.5	3.0
200:5	112026103 84525	0.3B0.5	3.0
300:5	112026103 84526	0.3B0.5	3.0
400:5	112026103 84527	0.3B0.5	3.0
500:5	112026103 84528	0.3B0.5	3.0
600:5	112026103 84529	0.3B0.5	3.0
800:5	112026103 84530	0.3B0.5	1.5
1000:5	112026103 84531	0.3B0.5	1.5
1200:5	112026103 84532	0.3B0.5	1.2



Maximum System Voltage	15.5 kV
Power Freq. Withstand Volt.	34 kV
Basic Impulse Level	110 kV
Creepage Distance	19.1"
Strike Distance	9.0"
Weight	53 lbs
Cantilever Strength	1100 lbs
Small deviations in weight and dimensions are possible.	

One Ritz Avenue • Waynesboro, GA 30830
 (706) 554-8800 • FAX (706) 554-8808
 www.ritzusa.com

Sales Representative

