

Current Transformers

GIFU 25-01

General Description

Ritz manufactures an extensive line of cast epoxy resin insulated transformers across the voltage range of 5.5 kV to 72.5 kV. This brochure describes outdoor Current Transformers in the 25 kV class with performance ratings which coincide with industry standard product offerings. Ritz, because of product depth, familiarity with international standards and custom design capability is also capable of designing a solution to your specific needs.

Construction

The toroidal core and winding assembly is encapsulated in cycloaliphatic epoxy resin in a single process under vacuum using the pressure gelation method. The resin color is grey. Brown is available by special order. Epoxy resin was chosen because of its excellent tracking resistance, high mechanical strength, ability to withstand ultraviolet radiation and weathering effects and its inflammability.

Primary Terminals

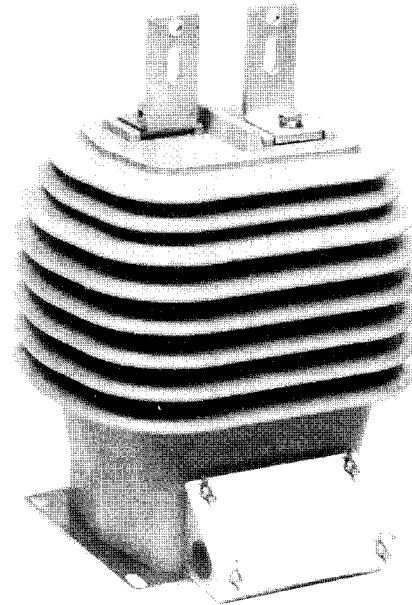
Primary terminals are flat tin plated copper NEMA two hole pads. Primary terminals are detachable so that the alternate terminal configurations can be considered.

Secondary Terminals

Secondary terminals are bronze clamp type with a large diameter hole. A bronze pivoting short circuit device is an integral part of the secondary terminal arrangement. A ground terminal is also provided.

Terminal Box

The cast aluminum terminal box has one inch conduit hubs on either end and a knock out for a one inch conduit fitting on the bottom. The box is attached to the transformer body by four bolts in an industry standard pattern and can easily be detached, simplifying change out procedures.



Base Plate

The base is made of marine grade aluminum and is securely attached to the transformer body. Industry standard mounting dimensions and a single hole ground pad 90° to the mounting plate are provided.

Nameplates

Nameplates are of marine grade aluminum with the markings applied by a metal photo process.

Mounting

The transformers can be mounted in the horizontal, vertical or suspended position.

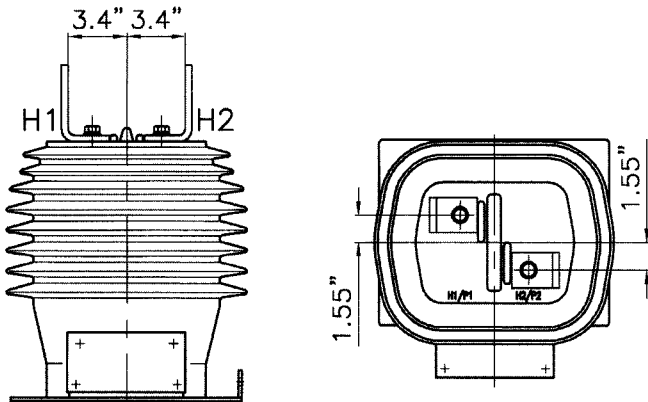
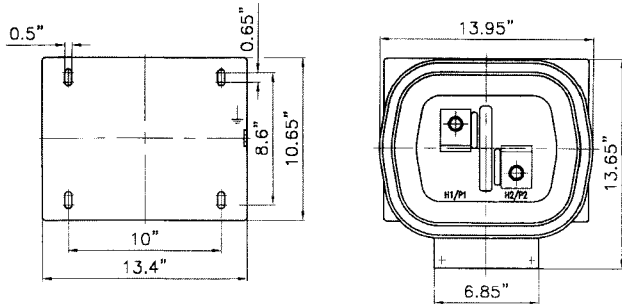
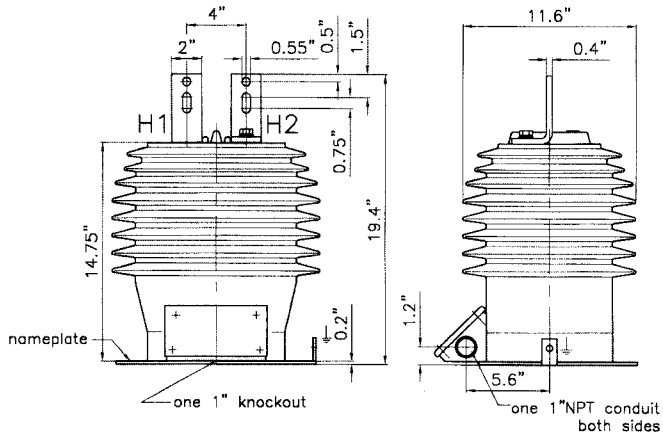
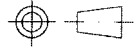
Tests

Routine tests in compliance with IEEE are standard. In addition internal partial discharge is performed as a routine test with acceptance criteria of $< 20 \text{ pC}$ at $1.2 \text{ Vm}/\sqrt{3}$ and $< 50 \text{ pC}$ at 1.2 Vm . Test cards are included with each unit.

Commissioning and Maintenance

Transformers are supplied ready for service. No special tools are required. Instruction manuals are provided with each shipment. Periodic wiping down of the units with silicone grease is recommended.

Maximum System Voltage	25.5 kV
Power Freq. Withstand Volt.	50 kV
Basic Impulse Level	150 kV
Creepage Distance	29.5"
Strike Distance	13"
Weight	105 lbs
Cantilever Strength	1100 lbs
Small deviations in weight and dimensions are possible.	



Primary Terminals 90° rotated
(scale 1:10)

CURRENT TRANSFORMER TYPE: GIFU 25-01

Current Ratio	Catalogue Number	ANSI Accuracy Class, 60 Hz		Rating Factor
		Meter	Relay	
5:5	112053001 45850	0.3B-0.9	C100	3.0
10:5	112053001 45851	0.3B-0.9	C100	3.0
15:5	112053001 45852	0.3B-0.9	C100	3.0
20:5	112053001 45853	0.3B-0.9	C100	3.0
25:5	112053001 45854	0.3B-0.9	C100	3.0
30:5	112053001 45855	0.3B-0.9	C100	3.0
40:5	112053001 45856	0.3B-0.9	C100	3.0
50:5	112053001 45857	0.3B-0.9	C100	3.0
75:5	112053001 45858	0.3B-0.9	C100	3.0
100:5	112053001 45859	0.3B-0.9	C100	3.0
150:5	112053001 45860	0.3B-0.9	C100	3.0
200:5	112053001 45861	0.3B-0.9	C100	3.0
300:5	112053001 45862	0.3B-0.9	C100	3.0
400:5	112053001 45863	0.3B-0.9	C100	3.0
500:5	112053001 45867	0.3B-0.9	C100	3.0
600:5	112053001 45864	0.3B-0.9	C100	3.0
800:5	112053001 45865	0.3B-0.9	C100	2.0
1000:5	112053001 45868	0.3B-0.9	C100	1.5
1200:5	112053001 45866	0.3B-0.9	C100	1.5
5/10:5	112053001 45879	0.3B-1.8 Full B-0.9 Tap	C200 Full C100 Tap	1.5 Full 3.0 Tap
10/20:5	112053001 45850	0.3B-1.8 Full B-0.9 Tap	C200 Full C100 Tap	1.5 Full 3.0 Ta
20/40:5	112053001 45871	0.3B-1.8 Full B-0.9 Tap	C200 Full C100 Tap	1.5 Full 3.0 Tap
25/50:5	112053001 45872	0.3B-1.8 Full B-0.9 Tap	C200 Full C100 Tap	1.5 Full 3.0 Tap
50/100:5	112053001 45873	0.3B-1.8 Full B-0.9 Tap	C200 Full C100 Tap	1.5 Full 3.0 Tap
75/150:5	112053001 45874	0.3B-1.8 Full B-0.9 Tap	C200 Full C100 Tap	1.5 Full 3.0 Tap
100/200:5	112053001 45875	0.3B-1.8 Full B-0.9 Tap	C200 Full C100 Tap	1.5 Full 3.0 Tap
150/300:5	112053001 45876	0.3B-1.8 Full B-0.9 Tap	C200 Full C100 Tap	1.5 Full 3.0 Tap
200/400:5	112053001 45877	0.3B-1.8 Full B-0.9 Tap	C200 Full C100 Tap	1.5 Full 3.0 Tap
300/600:5	112053001 45878	0.3B-1.8 Full B-0.9 Tap	C200 Full C100 Tap	1.5 Full 3.0 Tap
400/800:5	112053001 45879	0.3B-1.8 Full B-0.9 Tap	C200 Full C100 Tap	1.5 Full 3.0 Tap
500/1000:5	112053001 45895	0.3B-1.8 Full B-0.9 Tap	C200 Full C100 Tap	1.5 Full 3.0 Tap
600/1200:5	112053001 45996	0.3B-1.8 Full B-0.9 Tap	C200 Full C100 Tap	1.5 Full 3.0 Tap
25/50:5	112053001 45920	0.3B-2.0	C200 Full C100 Tap	1.5 Full 2.0 Tap
50/100:5	112053001 45921	0.3B-2.0	C200 Full C100 Tap	1.5 Full 2.0 Tap
75/150:5	112053001 45922	0.3B-2.0	C200 Full C100 Tap	1.5 Full 2.0 Tap
100/200:5	112053001 45923	0.3B-2.0	C200 Full C100 Tap	1.5 Full 2.0 Tap
150/300:5	112053001 45924	0.3B-2.0	C200 Full C100 Tap	1.5 Full 2.0 Tap
200/400:5	112053001 45925	0.3B-2.0	C200 Full C100 Tap	1.5 Full 2.0 Tap
300/600:5	112053001 45926	0.3B-2.0	C200 Full C100 Tap	1.5 Full 2.0 Tap
400/800:5	112053001 45927	0.3B-2.0	C200 Full C100 Tap	1.5 Full 2.0 Tap
500/1000:5	112053001 45928	0.3B-2.0	C200 Full C100 Tap	1.5 Full 2.0 Tap
600/1200:5	112053001 45929	0.3B-2.0	C200 Full C100 Tap	1.5 Full 2.0 Tap
800/1600:5	112053001 45930	0.3B-2.0	C200 Full C100 Tap	1.5 Full 2.0 Tap
1000/2000:5	112053001 45931	0.3B-2.0	C200 Full C100 Tap	1.5 Full 2.0 Tap
1500/3000:5	112053001 45921	0.3B-2.0	C200 Full C100 Tap	1.5 Full 2.0 Tap

One Ritz Avenue • Waynesboro, GA 30830
(706) 554-8800 FAX (706) 554-8808
www.ritzusa.com

