



---

## OIL LEVEL INDICATION ON CAPACITOR SECTIONS OF RITZ CCVT's

---

### Product Bulletin HV-11-PB012r2

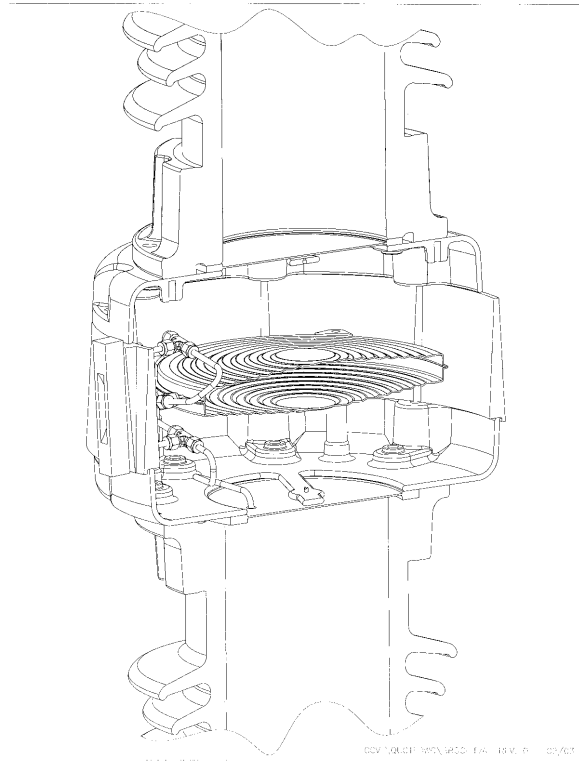
Areva type OTCF capacitor sections are manufactured with the highest quality sealing materials and fittings. Materials are selected for their compability to the SAS synthetic capacitor fluid and their non-ageing properties.

Additionally each CVT is rigorously tested and inspected prior to leaving the factory for leak tightness.

In the unlikely event of an oil leak, it will manifest itself either by an elevated fluid level in the base tank or by the accumulation of dirt trapped by oil on the insulator surface.

Despite these detection methods for capacitor section leaks, and the very low probability that a leak would occur, some users are uncomfortable without a more direct method of monitoring the oil level in capacitor sections. For these clients Areva has developed a sight glass indication which is strategically located between the external stainless steel expansion reservoir located on top of each capacitor section and the main body of insulating oil in the insulator housing. All the while there is oil in the expansion chamber the sight glass will show as full, but, if a leak causes oil loss, it ultimately will empty the bellows and also the sight glass window. This will occur prior to the critical stage of the oil level falling below the top capacitor elements which could trigger an internal flashover and possible catashophere failure of the capacitor section.

Please contact the factory or your Areva representative for pricing of their feature.



---

## AREVA T&D

---

**Areva Waynesboro**  
**One Ritz Avenue**  
**Waynesboro, Ga. 30830**  
**Tel.: (706) 554-8800**  
**Fax: (706) 554-8808**  
**usitrinfo@areva-td.com**  
**itr-us.areva-td.com**

---