

COUPLING CAPACITOR VOLTAGE TRANSFORMER TYPE OTCF-ER (ANSI STANDARD)

Ritz CCVT's are designed to comply with the requirements of the American National Standards Institute ANSI C93.1 and C93.2. Special designs are available to comply with other standards and special requirements. Ritz CCVT's of this design are available in voltage ratings from 72.5 kV to 800 kV. Features common to all voltage ratings are as follows:

1. ACCURACY CLASS ANSI

Each Main Winding	1.2MWXYZ
Auxiliary Winding	1.2MWXY

Two main windings are supplied as standard, with a third auxiliary winding available as an option.

2. TRANSIENT RESPONSE

Residual Voltage (1 cycle)	6% @ ZT
----------------------------	---------

3. FERRORESONANCE SUPPRESSION – Less than 10% of peak within 10 cycles at 110% of maximum rated voltage.

4. THERMAL BURDEN RATING 1000 VA

5. SECONDARY SHORT CIRCUIT CURRENT

Tap Winding	40 A
Full Winding	23 A

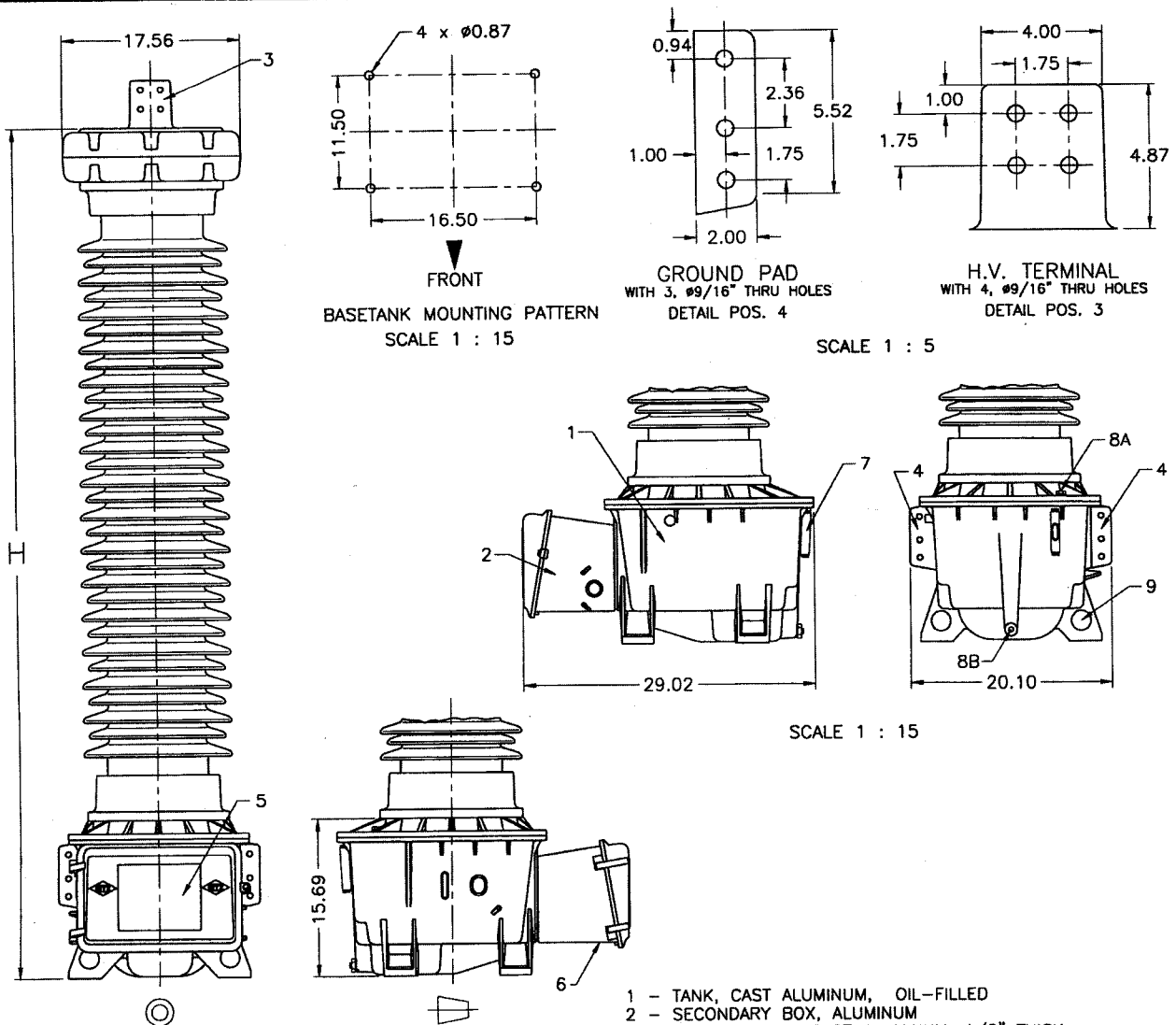
6. INTERMEDIATE VOLTAGE 6.5 kV

7. SHORT TIME OVERVOLTAGE – 140% of performance reference voltage for one minute.

8. INSULATION CLASS A

Capacitor Unit – solid dielectric:	Film/Kraft paper
– liquid dielectric:	SAS synthetic oil

Electromagnetic Unit – solid dielectric:	Kraft paper
– liquid dielectric:	Mineral oil



- 1 - TANK, CAST ALUMINUM, OIL-FILLED
- 2 - SECONDARY BOX, ALUMINUM
- 3 - H.V. TERMINAL, CAST ALUMINUM, 1/2" THICK
- 4 - GROUND TERMINALS, ALUMINUM, DIAGONALLY OPPOSITE
- 5 - MASTER NAMEPLATE, STAINLESS STEEL
- 6 - GLAND PLATE, ALUMINUM, 12.59" x 3.34"
- 7 - OIL LEVEL SIGHT GLASS
- 8 - A: OIL FILL PLUG; B: OIL SAMPLING VALVE
- 9 - (4) LIFTING EYES Ø2.00"

PARAMETER	UNIT	OTCF-ER TYPE CVT									
		72.5	123	145	170	245	300	362	420	550	800
MAXIMUM SYSTEM VOLTAGE U_m	kV	72.5	123	145	170	245	300	362	420	550	800
NOMINAL SYSTEM VOLTAGE U_n	kV	66	110	132	150	220	275	330	400	500	765
RATED CAPACITANCE	pF	37500	22500	18800	16200	11250	9400	8100	6250	5400	4000
BIL (1.2 X 50 μ SEC)	kV	350	550	650	750	1050	1175	1550	1675	1800	2425
CREEPAGE DISTANCE (MIN.)	in	62.9	108.5	134.6	172.0	216.9	269.3	344.1	403.9	516.1	688.2
STRIKE DISTANCE (MIN.)	in	22.8	37.2	45.2	55.7	74.5	90.4	111.4	135.6	167.1	222.8
NO. OF CAPACITOR UNITS		1	1	1	1	2	2	2	3	3	4
MAX. HORIZONTAL TERMINAL PULL	lb _f	3030	2150	1860	1570	1070	940	780	630	510	380
HEIGHT (H)	in	51.8	65.4	74.1	84.6	114.7	132.2	153.2	190.3	221.8	290.4
WEIGHT	lb	525	611	710	827	970	1171	1385	1625	1936	2491

D:\CVT\VALUING\BROC-CRCS-ANSI

SALES REPRESENTATIVE

One Ritz Avenue • Waynesboro, GA 30830
 (706) 554-8800 FAX (706) 554-8808
 www.ritzusa.com