

INSTRUMENT TRANSFORMERS, INC.

Voltage Transformers

VEF 36-10 Single Pole VZF 36-10 Double Pole

General Description

Ritz manufactures an extensive line of cast epoxy resin insulated transformers across the voltage range of 5.5 kV to 72.5 kV. This brochure describes outdoor Voltage Transformers in the 36 kV class with performance ratings which coincide with industry standard product offerings. Ritz, because of product depth, familiarity with international standards and custom design capability is also capable to design a solution to your specific needs.

Construction

The core and coil assembly is encapsulated in cycloaliphatic epoxy resin in a single process under vacuum using the pressure gelation method. The resin color is grey. Brown is available by special order. Epoxy resin was chosen because of its excellent tracking resistance, high mechanical strength, ability to withstand ultraviolet radiation and weathering effects and its inflammability.

Primary Terminals

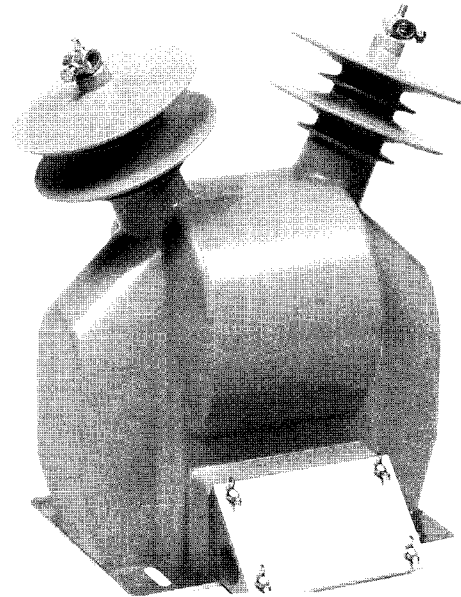
Primary line terminals are tin plated copper studs with connectors capable of accommodating #10 to 250 mcm conductor. The H2 neutral terminal is insulated to withstand a 19 kV test level. Line terminals are detachable so that alternate terminal configurations can be considered.

Secondary Terminals

Secondary terminals are bronze clamp type with a large diameter hole. A ground terminal is also provided for grounding of the secondaries at the transformer.

Terminal Box

The cast aluminum terminal box has one inch conduit hubs on either end and a knock out for a one inch conduit fitting on the bottom. The box is attached to the transformer body by four bolts in an industry standard pattern and can easily be detached, simplifying change out procedures.



Base Plate

The base is made of marine grade aluminum and is securely attached to the transformer body. Industry standard mounting dimensions and a single hole ground pad 90° to the mounting plate are provided.

Nameplates

Nameplates are of marine grade aluminum with the markings applied by a metal photo process.

Mounting

The transformers can be mounted in the horizontal, vertical or suspended position.

Tests

Routine tests in compliance with IEEE are standard. In addition internal partial discharge is performed as a routine test with acceptance criteria of < 20 pC at 1.2 Vm/√3 and < 50 pC at 1.2 Vm. Test cards are included with each unit.

Commissioning and Maintenance

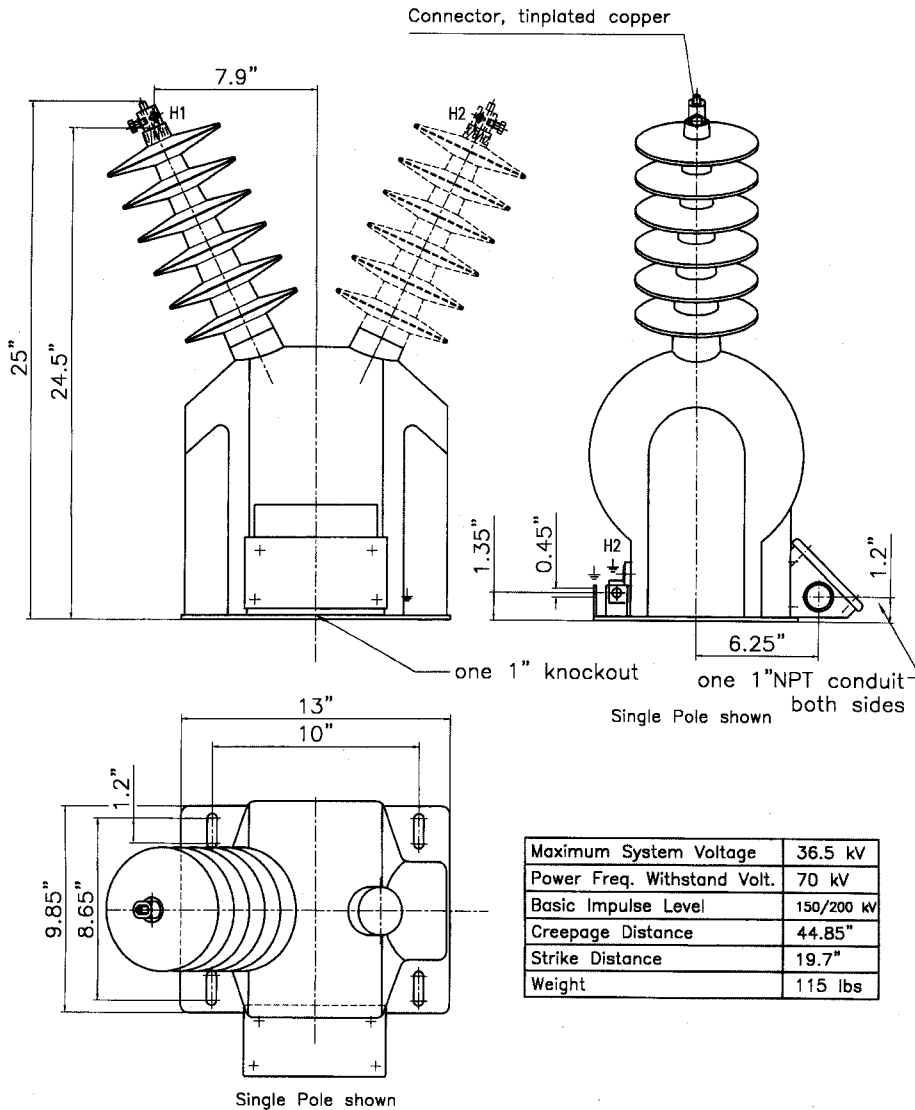
Transformers are supplied ready for service. No special tools are required. Instruction manuals are provided with each shipment. Periodic wiping down of the units with silicone grease is recommended.

VOLTAGE TRANSFORMER TYPE: VEF 36-10

PRIMARY VOLTAGE	WINDING RATIO	CATALOG NUMBER	ANSI ACCURACY CLASS 60 Hz	BIL	THERMAL RATING (VA)
20125/34500GY	167.71:1	123031010 60370	0.3WXY	150	750 VA
20125/34500GY	175/300:1	123031010 60371	0.3WXY	150	1300 VA
20125/34500GY	175/300:1	123031010 60372	0.3WXY	150	1300 VA

VOLTAGE TRANSFORMER TYPE: VZF 36-10

PRIMARY VOLTAGE	WINDING RATIO	CATALOG NUMBER	ANSI ACCURACY CLASS 60 Hz	BIL	THERMAL RATING (VA)
20125/34500Y	175/300:1	123030010 60380	0.3WXY	150	1000
27800/27600Y	240/400:1	123030010 60381	0.3WXY	150	1000
34500/34500Y	300/500:1	123030010 60382	0.3WXY	150	1000
27800	230:1	123030010 60383	0.3WXY	150	750
34500	287.5:1	123030010 60384	0.3WXY	150	750
23000	191.67:1	123030010 60365	0.3WXY	150	750
20125/34500Y	175/300:1	123030010 60380	0.3WXY	200	1000
27800/27600Y	240/400:1	123030010 60381	0.3WXY	200	1000
34500/34500Y	300/500:1	123030010 60382	0.3WXY	200	1000
27800/27600Y	240:1	123030010 60383	0.3WXY	200	1000
34500/34500Y	300:1	123030010 60384	0.3WXY	200	1000



INSTRUMENT TRANSFORMERS

One Ritz Avenue • Waynesboro, GA 30830
 (706) 554-8800 FAX (706) 554-8808
 www.ritzusa.com

